



A4 ALUMINIUM STEP BAR

Part No. AL4006B



**Fits: 2019-2020 1500 SILVERADO/SIERRA CREW CAB
2020 2500/3500 SILVERADO/SIERRA CREW CAB**



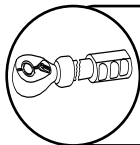
INCLUDES DIESEL MODELS W/DEF



REMOVE CONTENTS FROM BOX. VERIFY ALL PARTS ARE PRESENT.



READ INSTRUCTIONS CAREFULLY BEFORE STARTING INSTALLATION.



DO NOT OVER TORQUE. STANDARD OPERATING LOAD FOR
TIGHTENING BODY MOUNT NUTS & BOLTS VARIES FROM 18 TO 20
FOOT POUND FOR M8 HARDWARE



120 mins



Cutting Not
Required



Drilling Not
Required



support@trailfx.com



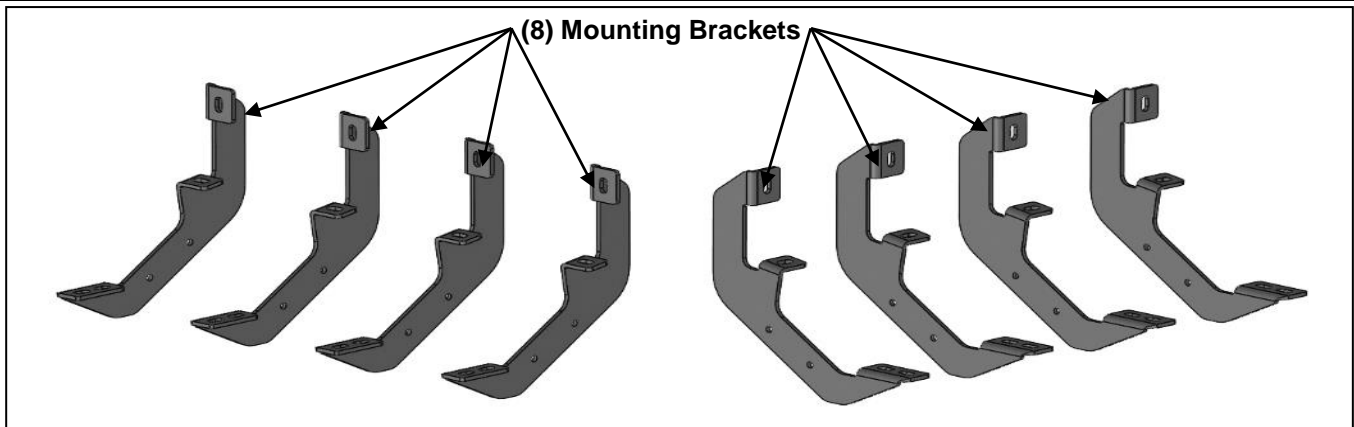
1- (866) 638 - 4870



POWDER COATED BLACK - LIMITED LIFETIME

PARTS LIST:

Qty	Part Description	Qty	Part Description
2	A4 Step Bars	16	8mm x 30mm Hex Bolts
8	Mounting Brackets	32	8mm x 24mm OD x 2mm Flat Washers
8	Plastic Covers	32	8mm Lock Washers
16	Plastic Clips	16	8mm Hex Nuts
16	8mm x 20mm T-Bolts		
REPLACEMENT PARTS LIST (NOT INCLUDED IN BOX)			
1	Step Pad Pack (Includes clips) - G9029	1	End Caps Pack - G9030
1	Bracket Cover Pack - G9031		



PROCEDURE:

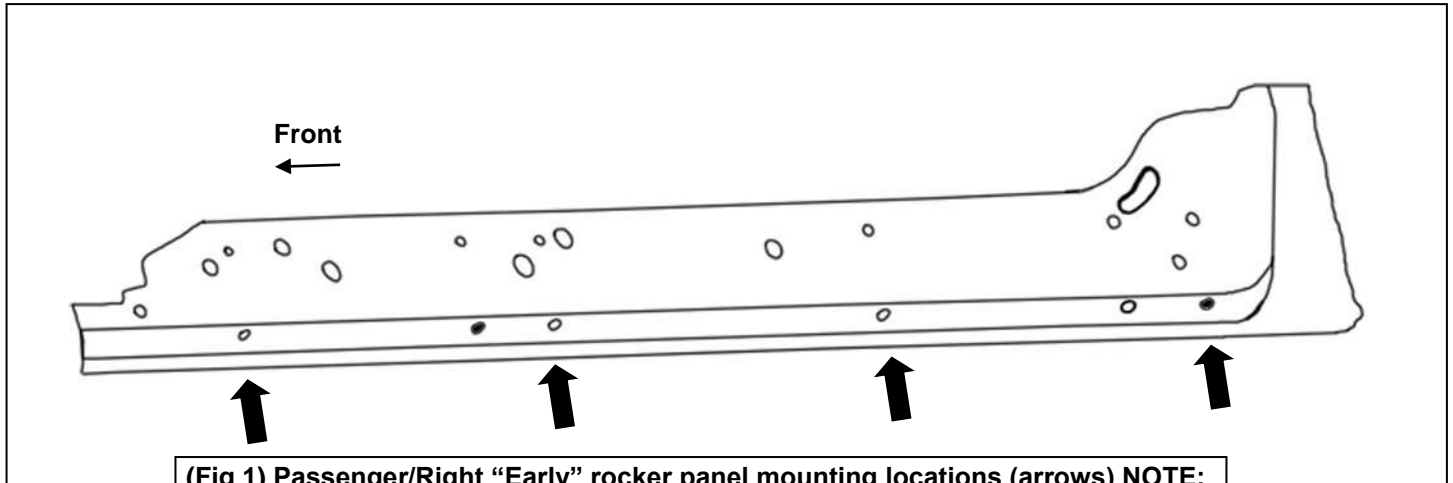
REMOVE CONTENTS FROM BOX. VERIFY ALL PARTS ARE PRESENT. READ INSTRUCTIONS CAREFULLY BEFORE STARTING INSTALLATION. ASSISTANCE IS RECOMMENDED.

- Start the installation under the Passenger/Right side of the vehicle.
 - For **"Early" 2019 models**, locate the 6 plugs along the bottom edge of the body. Mounting Brackets will bolt to the 1st, 3rd, 4th and 6th threaded mounting holes, **(Figure 1)**.
 - For **"Late" 2019 models**, all (4) mounting locations will be used.
- Remove the plastic plugs from the Passenger/Right front mounting location. Select (1) Mounting Bracket. Attach the Mounting Bracket to the factory threaded holes with (2) 8mm Hex Bolts, (2) 8mm Lock Washers and (2) 8mm Flat Washers, **(Figures 2 & 3)**. Do not tighten hardware at this time.
- Select (1) Plastic Cover. Attach the Cover to the Mounting Bracket with (2) Plastic Clips, **(Figure 4)**.
- Repeat **Steps 1—3** to attach (3) Mounting Brackets and (3) Plastic Covers to the (3) remaining locations along the rocker panel, **(Figures 5—8)**. Do not tighten hardware at this time.

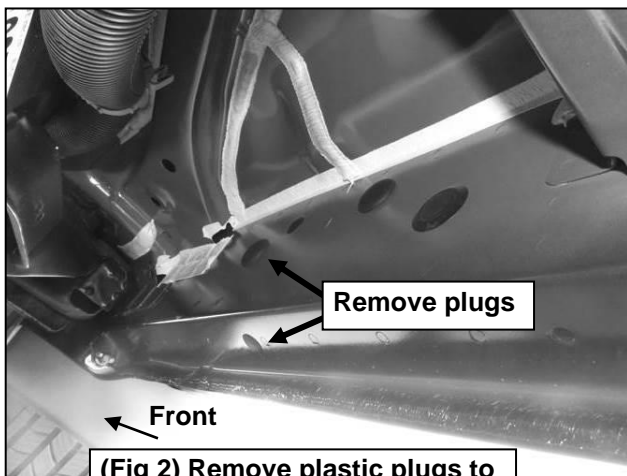
5. Select the Passenger/Right Sidebar. Insert (8) T-Bolts into the channels on the bottom of the Sidebar, (4) per channel, **(Figure 9)**. Carefully place Sidebar on the brackets. Attach Sidebar to the Mounting Brackets with (8) 8mm Flat Washers, (8) 8mm Lock Washers and (8) 8mm Hex Nuts, **(Figure 9)**. Do not tighten hardware at this time.
6. Level and adjust the Sidebar and fully tighten all hardware.
7. Repeat **Steps 1—6** to attach the Driver/Left Sidebar.
8. Do periodic inspections to the installation to make sure that all hardware is secure and tight.

To protect your investment, Do not use any type of polish or wax that may contain abrasives that could damage the finish. Mild soap may be used also to clean the Sidebar.

Passenger/Right side Installation Pictured

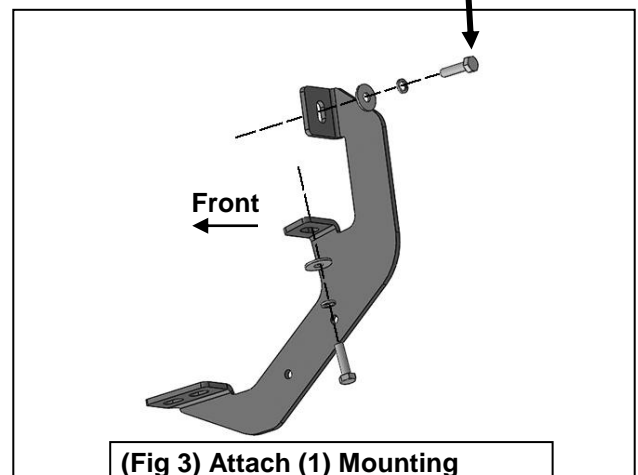


(Fig 1) Passenger/Right "Early" rocker panel mounting locations (arrows) NOTE: Hold Bracket up to body panel to help determine the correct mounting locations.

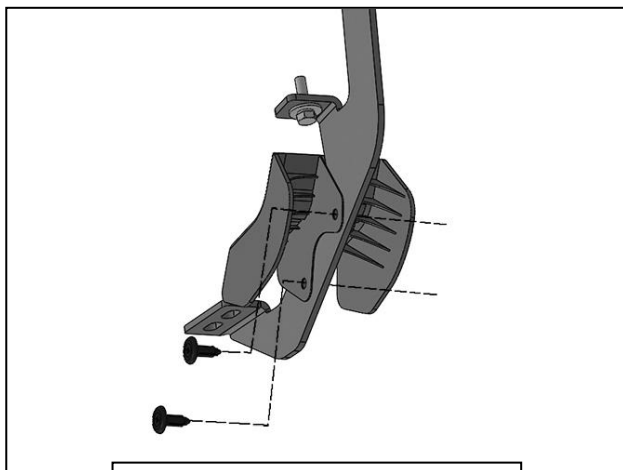


(Fig 2) Remove plastic plugs to uncover threaded inserts

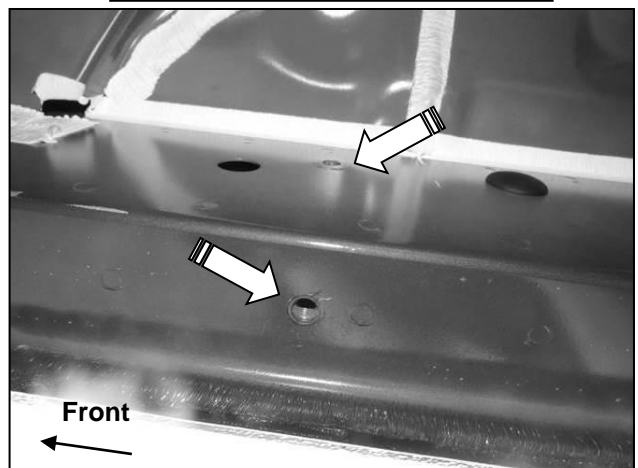
- (2) 8mm Hex Bolts
- (2) 8mm Lock Washers
- (2) 8mm Flat Washers



(Fig 3) Attach (1) Mounting Bracket to the mounting location

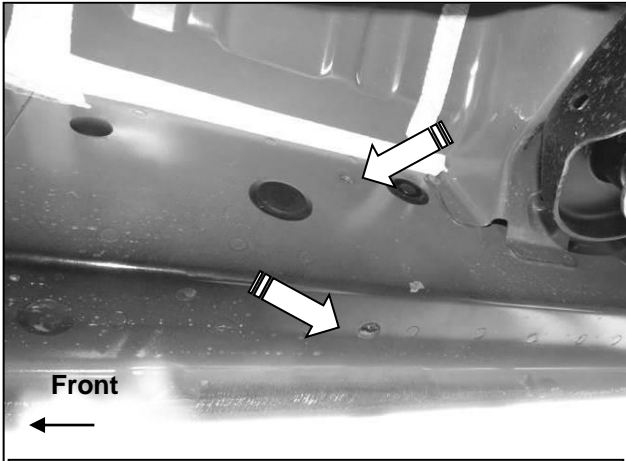


(Fig 4) Attach (1) Plastic Cover to the Mounting Bracket

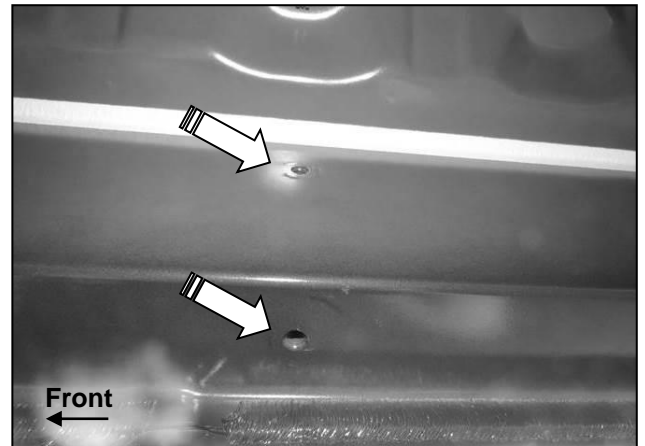


(Fig 5) Passenger/Right front mounting location

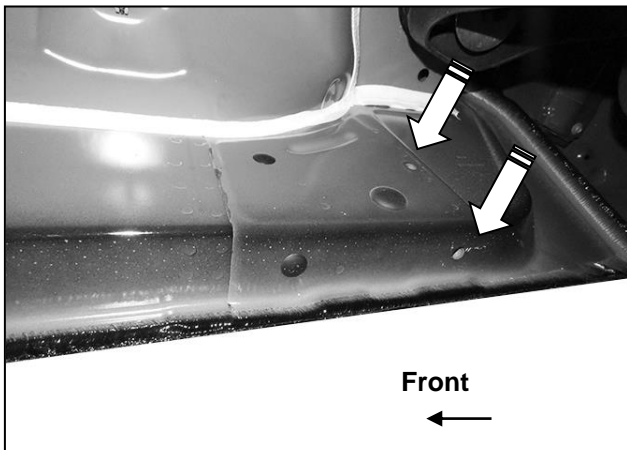
Passenger/Right side Installation Pictured



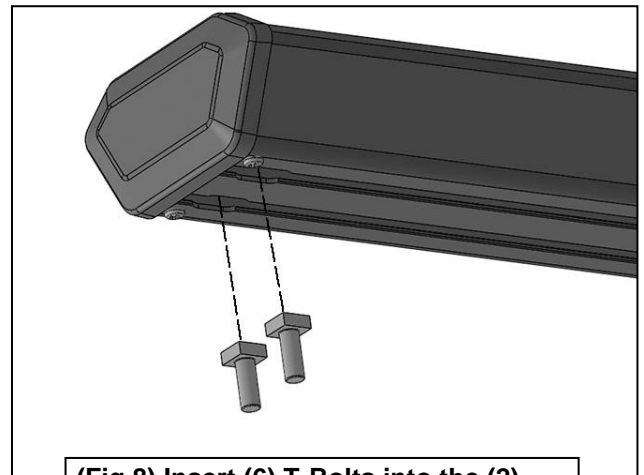
(Fig 5) Passenger/Right 2nd mounting location



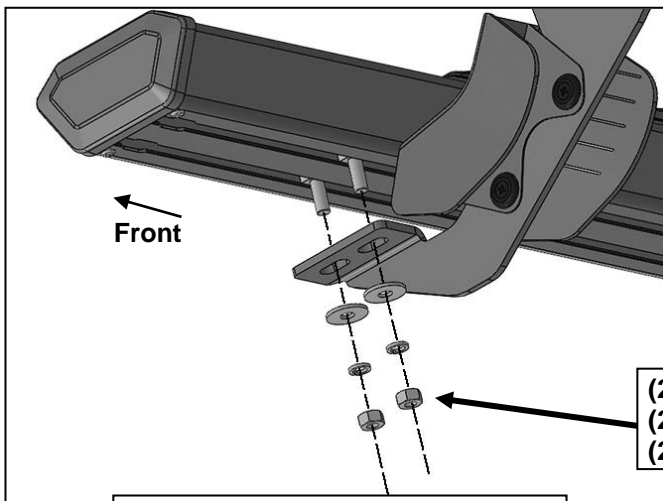
(Fig 6) Passenger/Right 3rd mounting location



(Fig 7) Passenger/Right rear mounting location



(Fig 8) Insert (6) T-Bolts into the (2) channels on the bottom of the Sidebar



- (2) 8mm Flat Washers
- (2) 8mm Lock Washers
- (2) 8mm Hex Nuts

(Fig 9) Attach Passenger/Right Sidebar to the Mounting Brackets

PRODUCT CARE

- Periodically check the product to ensure all fasteners are tight and components are intact.
- For cleaning, use mild soap and warm water with a soft cloth or brush to prevent scratching.

FAQ's**1. Hardware and mounting brackets are not aligning properly**

Ensure that hardware is being used on the correct side of the vehicle. In some cases, the hardware may appear same for driver or passenger side but may alter the alignment of mounting location. Check mounting brackets for both sides.

2. Step Bar is not aligning with vehicle / doors

Step bars may be interchanged or reversed (Driver / Passenger Side). Check step bar for each side as well ensure the proper hardware has been used for each side.

3. Products are thumping / rattling after installation.

Ensure that all required mounting brackets / hardware's are installed & tighten correctly. Suggest using white lithium / regular grease between metal to metal contact.

4. Missing / Excess Hardware.

Recheck hardware count as per the part list.

5. Product not installing properly.

Ensure the Year / Make / Model as well as cab and bed dimensions are correct for the application. Review all steps for installation to ensure they were followed correctly.

6. Who should be contacted for questions regarding product / installation assistance?

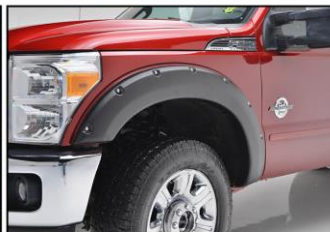
www.trailfx.com / support@trailfx.com 1-(866) 638-4870

Check out these other TrailFX Products!

www.trailfx.com



HOOD PROTECTOR



FENDER FLARES



TONNEAU COVER



BED LINERS

Keystone Automotive Operations Inc. (KAO) warrants this product to be free of defects in material and workmanship at the time of purchase by the original retail consumer. KAO disclaims any other warranties, express or implied, including the warranty of fitness for a particular purpose or an intended use. If the product is found to be defective, KAO may replace or repair the product at our option, when the product is returned prepaid, with proof of purchase. Alteration to, improper installation, or misuse of this product voids the warranty. KAO's liability is limited to repair or replacement of products found to be defective, and specifically excludes liability for any incidental or consequential loss or damage.